



INSTRUCTIONS

-J04378

REV. 2007-07-06

CUSTOM SHIFTER PEG KIT

GENERAL

Kit Number

34608-95, 34626-95, 34627-99, 34664-04

Models

For model fitment information, please see the P&A Retail Catalog or the Parts and Accessories section of www.harley-davidson.com (English only).

NOTE

A Service Manual for your model motorcycle is available from a Harley-Davidson Dealer.

Kit Contents

See Figure 1 and Table 1.

INSTALLATION

1. Remove and discard previously installed shifter peg from motorcycle. If needed, use a heat gun to apply heat to the shift lever and shifter peg threads to aid in peg removal.
2. See Figure 1. Insert the screw through the peg, tread, spacer (if required) into the shift lever.
Tighten screw to 11-15 ft-lbs (15-20 Nm).

SERVICE PARTS

iso5071

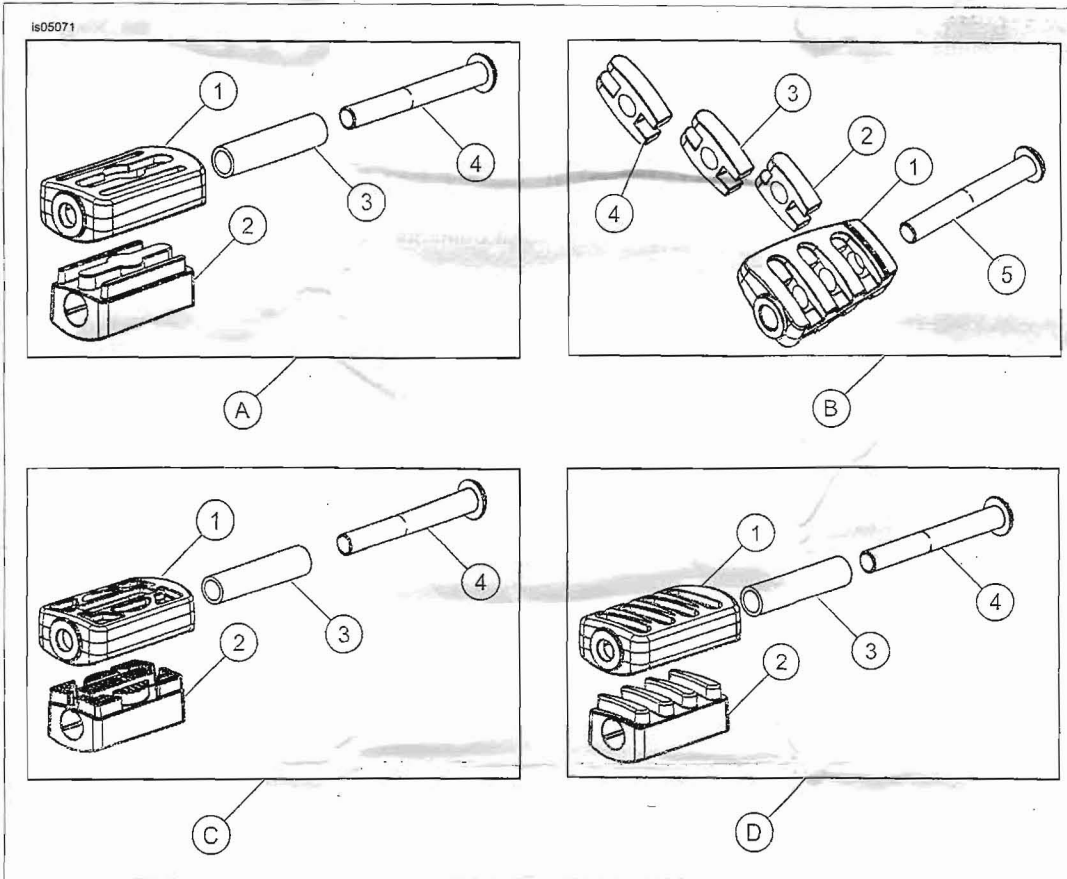


Figure 1. Service Parts: Shifter Peg Kits

Table 1. Service Parts Table

Item	Description (Quantity)	Part Number
A - Kit 34608-95		
1	Shifter peg body	Not Sold Separately
2	Shifter peg insert	Not Sold Separately
3	Spacer tube	50784-97
4	Screw, button head cap	94545-03
B - Kit 34626-95		
1	Shifter peg body	Not Sold Separately
2	Shifter peg insert	Not Sold Separately
3	Shifter peg insert	Not Sold Separately
4	Shifter peg insert	Not Sold Separately
5	Screw, button head cap	9495
C - Kit 34627-99		
1	Shifter peg body	Not Sold Separately
2	Shifter peg insert	Not Sold Separately
3	Spacer tube	50784-97

Table 1. Service Parts Table

Item	Description (Quantity)	Part Number
4	Screw, button head cap	94545-03
D - Kit 34664-04		
1	Shifter peg body	49220-04
2	Shifter peg insert	49221-04
3	Spacer tube	50784-97
4	Screw, button head cap	94545-03