



INSTRUCTIONS

-J05409

REV. 2013-07-17

SADDLEBAG 12 VOLT POWER OUTLET KIT

GENERAL

Kit Number

69200091

Models

For model fitment information, see the P&A retail catalog or the Parts and Accessories section of www.harley-davidson.com (English only).

Additional Parts Required

Prior or concurrent installation of a Battery Charging Harness (Part No. 94624-97, -97A or -97B) is required for proper installation of this kit.

A USB Adapter (Part No. 69200357) is **available** for use with **this power outlet**, and can be purchased separately from a Harley-Davidson dealer.

NOTE

DO NOT use the USB Adapter with the vehicle's cigar lighter, as it could damage the lighter socket.

Tools and Supplies Required

Electrical Contact Lubricant (Part No. 99861-02) or equivalent is required after battery cable disconnection. This item is available from a Harley-Davidson dealer.

WARNING

The rider's safety depends upon the correct installation of this kit. Use the appropriate service manual procedures. If the procedure is not within your capabilities or you do not have the correct tools, have a Harley-Davidson dealer perform the installation. Improper installation of this kit could result in death or serious injury. (00333a)

NOTE

This instruction sheet refers to service manual information. A service manual for this year/model motorcycle is required for this installation and is available from a Harley-Davidson dealer.

Electrical Overload

NOTICE

It is possible to overload your vehicle's charging system by adding too many electrical accessories. If the combined electrical accessories operating at any one time consume more electrical current than the vehicle's charging system can produce, the electrical consumption can discharge the battery and cause damage to the vehicle's electrical system. See an authorized Harley-Davidson dealer for advice about the amount of current consumed by additional electrical accessories or for necessary wiring changes. (00211c)

WARNING

When installing any electrical accessory, be certain not to exceed the maximum amperage rating of the fuse or circuit breaker protecting the affected circuit being modified. Exceeding the maximum amperage can lead to electrical failures, which could result in death or serious injury. (00310a)

The power outlet itself does not use any additional current, but make sure the current draw of any item to be plugged into it does not exceed the capacity of the vehicle electrical system.

Kit Contents

See Figure 1 and Table 1.

PREPARATION

NOTE

For 2007 and later vehicles equipped with security siren:

- Verify that the Hands-Free Fob is present.
- Turn the ignition key switch to IGNITION.

For Vehicles With Main Fuse:

WARNING

To prevent accidental vehicle start-up, which could cause death or serious injury, remove main fuse before proceeding. (00251b)

1. Refer to the service manual and follow instructions to remove the main fuse.
Remove the seat. Retain all seat mounting hardware.

For Vehicles With Main Circuit Breaker:

WARNING

To prevent accidental vehicle start-up, which could cause death or serious injury, disconnect negative (-) battery cable before proceeding. (00048a)

NOTE

For 2004 and later Sportster® models, the negative battery cable is most easily disconnected at the engine crankcase.

1. Refer to the service manual and follow instructions to remove the seat and disconnect the negative (black) battery cable from the negative (-) battery terminal. Retain all seat mounting hardware.

INSTALLATION

1. If a battery charger harness HAS already been installed, re-route the charger connector to place it close to the rear fender support bracket.

Temporarily remove the fuse from the charger harness

If a battery charger harness HAS NOT already been installed, install the battery charger harness per the instructions in that kit with the following exceptions:

- a. Route the charger harness connector toward the rear of the vehicle, close to the rear fender support bracket.
 - b. Remove the fuse from the charger harness until the power harness installation is complete.
2. Remove all items from the saddlebag. Remove the saddlebag from the vehicle.

NOTE

Check the following before choosing a mounting spot for the power outlet:

- Do not mount the power outlet housing and bracket on a rib or complex curved surface inside the saddlebag.
 - Select a position for the power outlet harness to pass through the inboard wall of the saddlebag. Recommended position is as high and as far forward as possible.
 - Make sure the power outlet harness connector will easily reach the mating charger harness connector after passing through the saddlebag wall.
 - The power outlet can point in any orientation; vertical, horizontal or any angle. Allow room in front of the power outlet to install the mating connector of any anticipated electronic devices that may be used.
 - Check position of the screw heads and wire pass-through for clearance to all moving components.
3. Select a flat surface inside the saddlebag, on the inboard wall.

See Figure 1. Using the outlet housing (5) as a template, mark the locations for the two mounting holes and the power outlet harness pass-through opening with a center punch. Note that the power outlet housing mounting holes are two in (50.8 mm) apart.

4. Drill two 0.38 in (9.5 mm) holes for mounting the power outlet. Drill a 0.62 in (16 mm) hole in the power outlet harness pass-through location.
5. Install a rubber grommet (7) into each of the 0.38 in (9.5 mm) power outlet mounting holes drilled in Step 4.
6. Place a washer (8) onto the threads of each hex socket screw (9). Insert the screws through the grommets, and place a second washer onto the screw threads.
7. Install the power outlet assembly (1) to the saddlebag side wall with the lock nuts (10). Tighten to 25-35 in-lbs (2.8-4.0 N-m).
8. Feed the two-way power outlet connector (B) and harness out through the 0.62 in (16 mm) hole in the saddlebag side wall, and route to the charger harness connector.
9. Use an adhesive-backed clip (11) to secure the power outlet harness to the inside of the saddlebag if needed. Use at least one adhesive-backed clip to secure the power outlet harness to the outside of the bag or the vehicle frame near the charger harness connector.

NOTE

Strain relief grommet is difficult to remove once pressed into saddlebag hole. Make sure grommet is well positioned on harness to allow easy connection to the charger harness.

10. Get the strain relief grommet (12) from the kit. With the large end facing the connector, snap the grommet onto the power outlet harness outside the saddlebag, and press the grommet into the wire hole.
11. Install the saddlebag onto the vehicle.
12. Connect the power outlet harness to the charger harness.
13. Install the fuse back into the charger harness.

RETURN TO SERVICE

NOTE

Verify that the ignition key switch is in the OFF position before installing the main fuse or attaching the negative battery cable.

1. **Models with main fuse:** Refer to the service manual and follow the instructions to install the main fuse.

Models (except Sportster) with main circuit breaker:

- a. Refer to the service manual and follow the instructions to attach the negative battery cable.
- b. Apply a light coat of Harley-Davidson electrical contact lubricant (Part No. 99861-02), petroleum jelly or corrosion retardant material to the negative battery terminal.

Sportster models with main circuit breaker: Refer to the service manual, and follow the instructions to connect the negative (-) battery cable at the engine crankcase.

WARNING

After installing seat, pull upward on seat to be sure it is locked in position. While riding, a loose seat can shift causing loss of control, which could result in death or serious injury. (00070b)

2. Refer to the service manual, and follow instructions to install the seat.

IN USE

NOTE

- Power outlet is not switched. It will remain "ON" even with ignition key switch in "OFF" position.
- DO NOT leave items connected to the power outlet unattended.

- DO NOT mount electronic devices with a hard drive memory on the vehicle for use or charging while the vehicle is in operation. Vehicle vibration can permanently damage the device. Refer to the device instructions to determine if the version to be used has a hard drive memory.

SERVICE PARTS

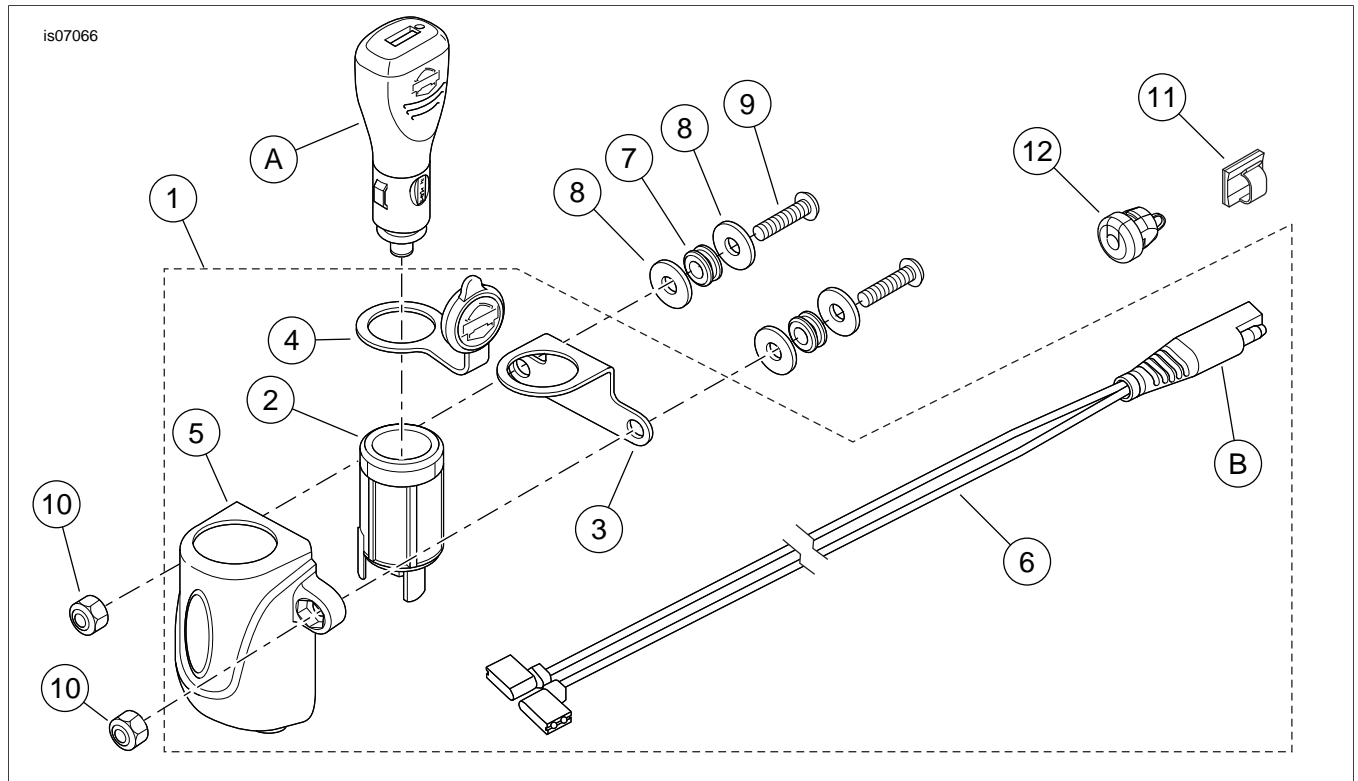


Figure 1. Service Parts, Saddlebag 12 Volt Power Outlet Kit

Table 1. Service Parts

| Item | Description (Quantity) | Part Number |
|--|---|---------------------|
| 1 | Power outlet assembly (includes Items 1-6) | |
| 2 | • Socket, 12 V power outlet | 91889-97 |
| 3 | • Bracket, power outlet | Not sold separately |
| 4 | • Cap, power outlet | 91844-97 |
| 5 | • Housing, power outlet | 69200092 |
| 6 | • Harness, power outlet | 69200090 |
| 7 | Grommet (2) | 11410 |
| 8 | Flat washer, chrome (4) | 6485 |
| 9 | Screw, hex socket button head (2) | 4015 |
| 10 | Lock nut, with nylon insert (2) | 7686 |
| 11 | Clip, adhesive back (2) | Not Sold Separately |
| 12 | Grommet, strain relief | 12100001 |
| Items mentioned in text, but not included in kit: | | |
| A | USB Adapter (Part No. 69200357, available separately) | |
| B | Two-way power outlet connector | |