



INSTRUCTIONS

-J03536

REV. 12-07-2004

Kit Number 68348-05

AUXILIARY LAMP WITH CLEAR LENS AND VERTICAL REFLECTOR OPTICS

General

This auxiliary lamp fits all Harley-Davidson original equipment and Genuine Motor Accessory auxiliary lamps. It is a direct replacement for the original bulbs found in the lamps.

NOTE

Replacement bulbs (Part Number 68453-05) can be purchased from your local Harley-Davidson dealer.

WARNING

The rider's safety depends upon the correct installation of this kit. Use the appropriate service manual procedures. If the procedure is not within your capabilities or you do not have the correct tools, have a Harley-Davidson dealer perform the installation. Improper installation of this kit could result in death or serious injury. (00333a)

Installation

WARNING

To prevent accidental vehicle start-up, which could cause death or serious injury, disconnect battery cables (negative (-) cable first) before proceeding. (00307a)

WARNING

Disconnect negative (-) battery cable first. If positive (+) cable should contact ground with negative (-) cable connected, the resulting sparks can cause a battery explosion, which could result in death or serious injury. (00049a)

1. Disconnect the battery cables, negative cable first.
2. See Figure 1. Remove passing lamp molding screw (1) and nut (2) from passing lamp molding (3). Remove molding and hardware. Retain for future use.
3. Disconnect the wire harness plug from back of auxiliary lamp assembly (4).
4. See Figure 2. Remove assembly (1) and nesting ring (2). Discard lamp but retain nesting ring.
5. Place the nesting ring at back of new lamp with concave side facing away from lamp. Install new harness provided in kit. Attach leads to the wires inside the lamp housing.
6. Connect new wire harness to the new lamp. Locate lamp in housing and be sure to align tabs on lamp (3) with pockets in the nesting ring.
7. Install passing lamp molding over lamp. Rotate lamp molding so that screw is centered at bottom. Install nut and screw and secure until snug.
8. Repeat for the lamp on the opposite side.

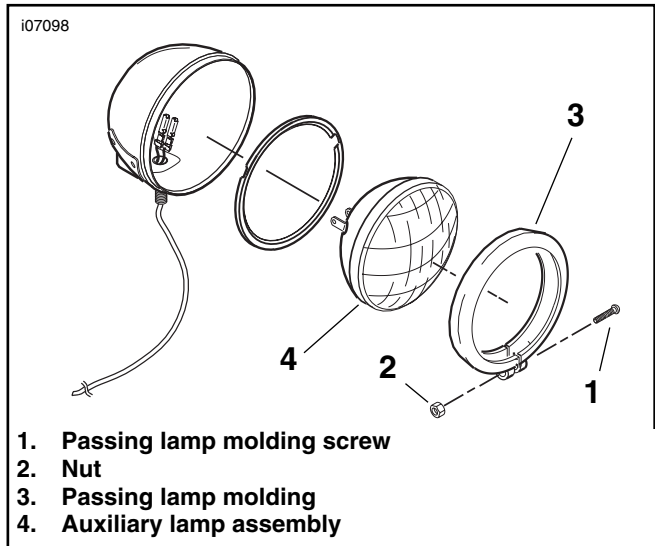


Figure 1. Auxiliary Lamp Components

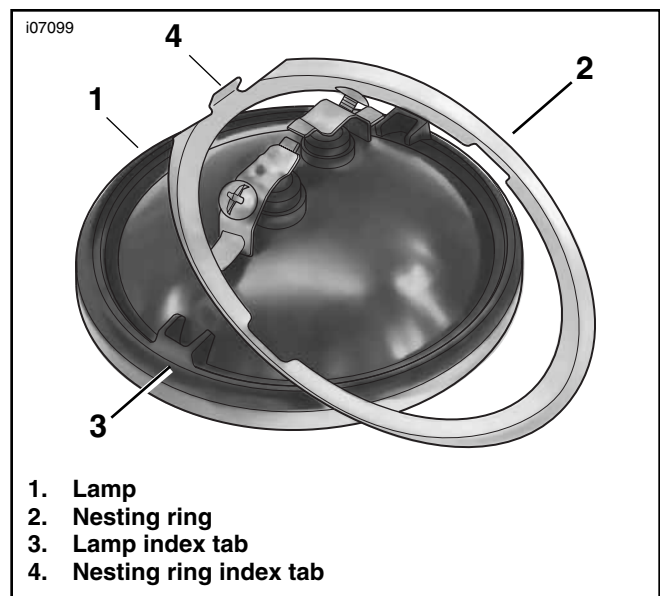


Figure 2. Lamp and Nesting Ring

WARNING

Connect positive (+) battery cable first. If positive (+) cable should contact ground with negative (-) cable connected, the resulting sparks can cause a battery explosion, which could result in death or serious injury. (00068a)

9. Connect the battery cables, positive cable first.
10. Test the auxiliary lamps for proper operation. If necessary, aim the lamps (see AUXILIARY LAMPS, ADJUSTMENT in the Service Manual), and tighten the lamp mounting nuts.



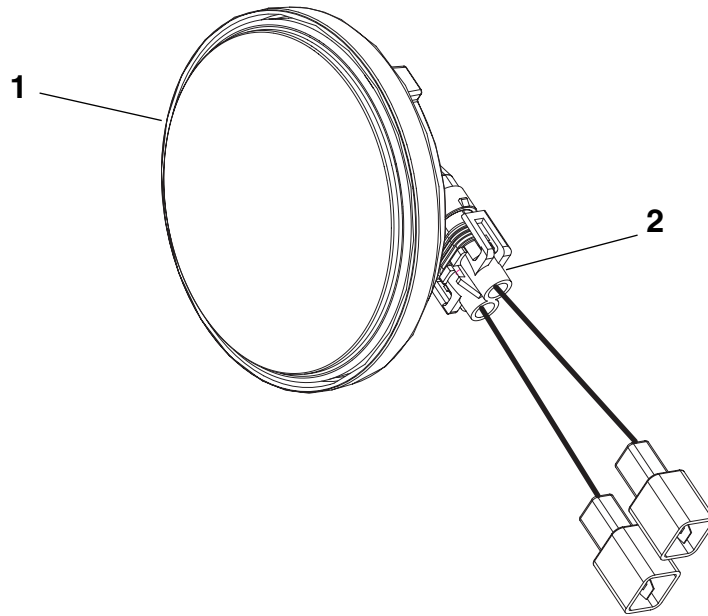
Service Parts

Part No. 68348-05-04

Date 12/04

Auxiliary Lamps w/Clear Lens & Vertical Reflector Optics

107100



Item	Description (Quantity)	Part No.
1	Auxiliary lamp (2)	68414-05
2	Wire harness (2)	68355-05