



INSTRUCTIONS

-J00190

REV. 5-6-03

Kit Number 50602-89B

PASSENGER FOOTBOARDS

General

This kit is designed for installation on 1986 to 1999 FXST, FXSTC, FXSTS, and FLST models, and on late 1987 to 1999 FLSTC models. However, installation of this kit on 1990 to 1999 FLSTC models equipped with factory-installed leather saddlebags requires Bracket Relocation Kit (Part No. 90345-90A). The Bracket Relocation Kit must be purchased separately. See your dealer.

NOTE

See the Service Parts Illustration on the next page for a list of the kit contents.

Installation

1. Remove existing footpeg and attaching hardware. Remove chrome swing arm pivot covers, if so equipped. Do not remove tool box, if so equipped.

NOTE

See Figure 1. Scrape off any paint accumulation around the mounting holes or counter bores of footboard support (7). Any paint build-up can interfere with assembly.

2. See Figure 1. Take footboard mount (9) and insert threaded stud through footpeg mounting hole. See Figure 2. Position semi-circular cut-out in plate extending from side of mount around head of pivot bolt.
3. See Figure 1. Thread lock nut (2) on threaded stud of mount (9) and tighten to 33 ft-lbs (44.7 Nm).

NOTE

The mounting stud has an inner and outer groove. The outer groove is used for necessary clearance with certain exhaust system or if the vehicle is equipped with a tool box.

4. Position footboard support (7) on mounting stud so that bolt hole aligns with the machined groove in stud (inner or outer) whichever gives adequate clearance.

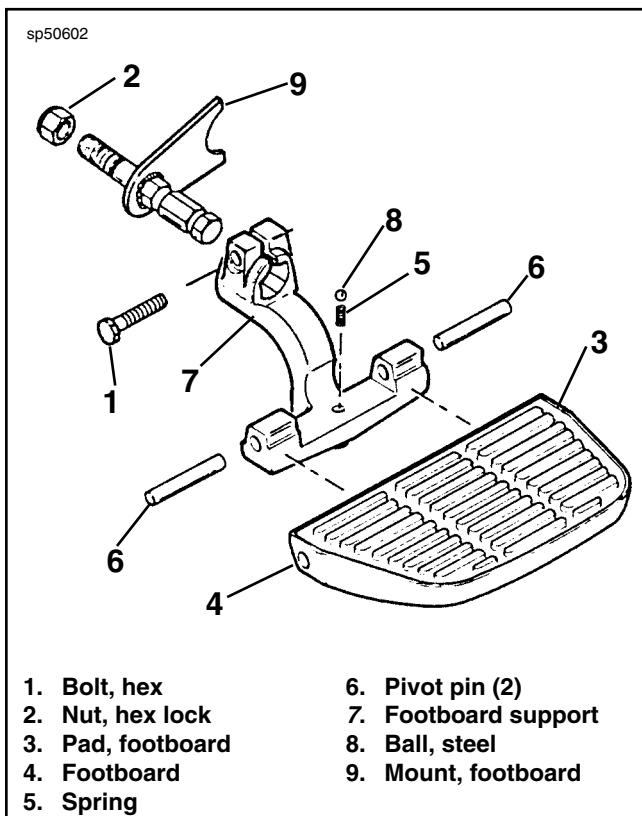


Figure 1. Footboard Assembly

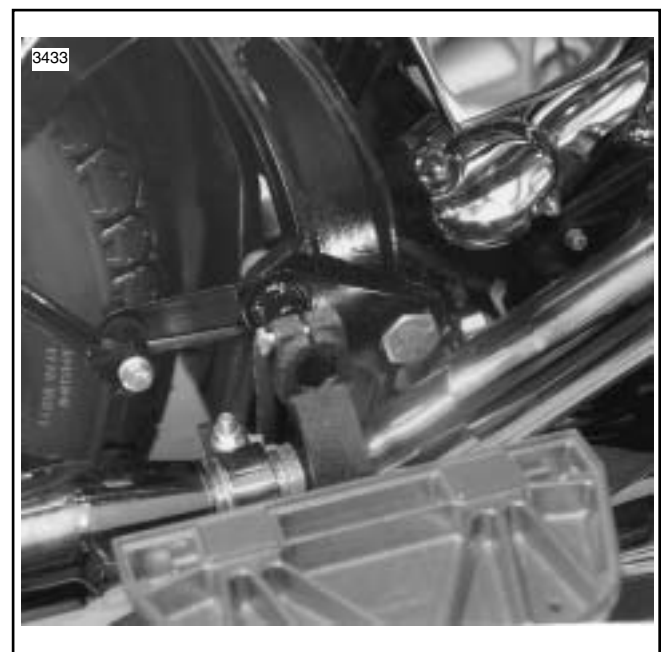


Figure 2. Footboard Mounting

5. Insert bolt (1) through the left side in split hub of footboard support (7) and thread into tapped hole in right side of split hub.
6. Tighten bolt (1) to torque of 120 **in-lbs** (13.5 Nm).
7. Place spring (5) into the retaining hole in footboard support (7). Rest steel ball (8) on top spring (6).
8. Position footboard (4) onto footboard support (7), being careful not to unseat steel ball (8).
9. Press down on footboard so that holes align and insert pivot pins (6) through footboard (4) and through the two mounting lugs on footboard support (7). Check to be certain ball (8) is seated in detent at underside of footboard (4).
10. Take footboard pad (3) and apply a spot of rubber adhesive, such as 3M 847, near the center outer edge on the underside of the pad.
11. Place pad (3) on footboard (4) and press the rubber pad nipples through the holes in the footboard. Press the rubber protrusions at underside of pad into the footrest cavities, being sure pin ends are seated in recesses in rubber pad. Also, be sure the rubber extensions at extreme outer edges of pad are seated in outside pin holes in footrest.
12. Cut off rubber pulls at underside of footboard.



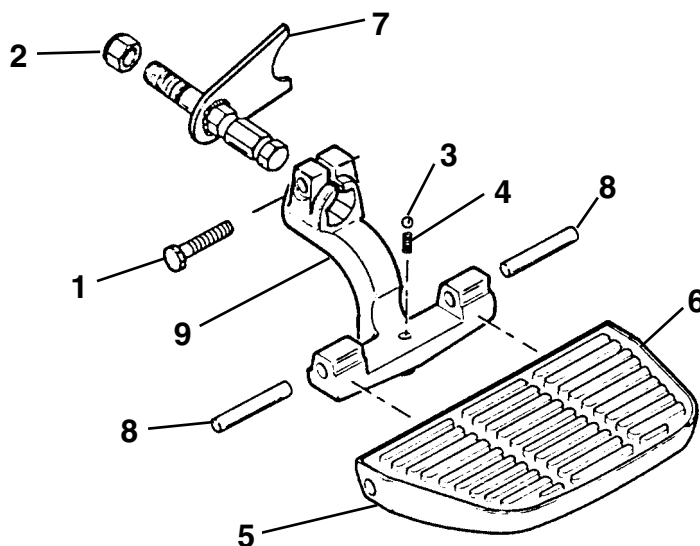
Service Parts

Part No. 50602-89B

Date 5/03

Passenger Footboards

sp50602



Item	Description	Part No.	Item	Description	Part No.
1	Screw (2)	3993	6	Pad, footrest (2)	50672-93
2	Nut (2)	7572W	7	Footboard mount (2)	50922-89A
3	Ball (2)	8860	8	Pivot pin (4)	50933-86
4	Spring (2)	33085-74	9	Footboard support (2)	52713-95A
5	Footrest (metal portion) (2)	50613-86			