



INSTRUCTIONS

-J04899

REV. 2009-01-14

ROAD TECH ZUMO GLOBAL POSITIONING SYSTEM (GPS) KIT

GENERAL

Kit Number

92357-08A

Models

For model fitment information, see the P&A retail catalog or the Parts and Accessories section of www.harley-davidson.com (English only).

Additional Parts Required

Separate purchase and installation of a mounting kit may be required for proper installation of this kit on your model motorcycle. The included automotive mount **IS NOT designed for use on a motorcycle windshield.**

See the P&A retail catalog or the Parts and Accessories section of www.harley-davidson.com (English only) for the available mounting kit for your model motorcycle. No additional parts are required for automotive installation.

Electrical Overload

CAUTION

It is possible to overload your motorcycle's charging system by adding too many electrical accessories. If your combined electrical accessories operating at any one time consume more electrical current than your vehicle's charging system can produce, the electrical consumption can discharge the battery and cause vehicle electrical system damage. See a Harley-Davidson dealer for advice about the amount of current consumed by additional electrical accessories, or for necessary wiring changes. (00211b)

WARNING

When installing any electrical accessory, be certain not to exceed the maximum amperage rating of the fuse or circuit breaker protecting the affected circuit being modified. Exceeding the maximum amperage can lead to electrical failures, which could result in death or serious injury. (00310a)

The Road Tech Zumo requires up to **1.08A** additional current from the electrical system.

Kit Contents

See Figure 1 and Table 1.

MOTORCYCLE INSTALLATION

Install the mounting kit to the motorcycle per the instructions in **THAT** kit.

The cradle (2), power harness assembly (6) and screws (4) needed for installation to the motorcycle will be found in **THIS** kit.

Inserting the Zumo Unit into the Cradle Mount

1. Obtain the Road Tech Zumo unit (1) from **THIS** kit.
2. Flip the lever (B) on the cradle mount (2) up. Flip the weather cap (A) open.
3. Position the Road Tech Zumo unit into the cradle mount, and flip the lever (B) down.
4. Use the security screwdriver (5) to tighten the security screw (C).

AUTOMOTIVE INSTALLATION

NOTES

Some local governments prohibit or restrict the use of suction mounts on the windshield or windows of a motor vehicle. Check with local authorities and obey all applicable laws and regulations.

Other Garmin dashboard or friction mounting options are available. Contact Garmin International, Inc. 1200 E. 151st Street, Olathe, KS 66062 USA or e-mail "harley-davidson@garmin.com".

If desired, the Zumo suction mount (10) can be attached to the vehicle's dashboard by first installing the dashboard disc (12) to the vehicle (consider the disc installation permanent, as the adhesive is extremely difficult to remove). The following notes and instructions apply; just replace the word "windshield" with "dashboard disc".

Make certain the installed mount does not block the vehicle operator's view of driving conditions.

Make certain the Zumo has a clear view of the sky and is not shielded by metal objects.

Make certain the cable path does not interfere with the operation of vehicle controls and safety equipment.

Do not mount over airbag panels or in front of an airbag field of deployment.

An optional external remote antenna (Garmin part number GA 27C) may be needed when operating the unit in a vehicle with a coated windshield or an in-screen heating system which can block the GPS signals. Contact Garmin International, Inc. 1200 E. 151st Street, Olathe, KS 66062 USA or e-mail "harley-davidson@garmin.com".

If a remote antenna IS NOT being used, be certain to select a location where the Zumo has a relatively unobstructed view of the sky.

Installing the Cradle Mount to a Vehicle Windshield

1. Thoroughly clean the inside surfaces of both the windshield and the suction cup (F) and allow both to air dry before installing the suction mount.

NOTE

Make certain the suction cam lever (G) is rotated **away** from the suction cup. Verify that the power cable (11) can reach the desired 12/24 Volt DC power receptacle in the vehicle.

2. Place the cradle mount (H) in the desired location on the windshield. Hold the suction cup against the glass and push the cam lever **toward** the suction cup so that the suction mount is gripped firmly against the windshield. Apply gentle pressure to the suction mount to make certain the grip is secure.
3. Adjust the bracket's vertical and horizontal angle. Position the Zumo unit, by rotating the ball-and-socket joint at the cradle end, for ease of viewing by the vehicle operator or passenger as desired. Friction will hold the unit in position. Double-check the suction mount's firm hold on the windshield.
4. To remove the suction mount from the windshield, rotate the cam lever **away** from the suction cup to release the suction cup's grip. If necessary, pull the tab (I) on the bottom of the suction cup away from the windshield to help release the grip.

Inserting the Zumo Unit into the Cradle Mount

1. See Figure 1. Obtain the Road Tech Zumo unit (1) from the kit.
2. Flip the lever (B) on the cradle mount (10) up.
3. Position the Road Tech Zumo unit into the cradle mount, and flip the lever down.
4. To remove, flip the lever up, and remove the Zumo from the bracket. Flip the lever down.

Connecting the Adapter to the Vehicle Power Source

The Zumo's suction mount bracket includes a power cable (11) with a 12/24 Volt DC adapter. This becomes the Zumo's power source when mounted in a motor vehicle.

1. Plug the adapter into an available 12/24 Volt DC power receptacle (cigarette lighter or power point) in the vehicle. Use care when routing the cable to verify that it does not interfere with vehicle operation in any way.

ROAD TECH ZUMO UNIT OPERATION

NOTES

Do not use solvent-based chemicals or waxes directly on the plastic or rubber components as they can affect the overall performance and appearance of the plastic and rubber.

Refer to the instructions that came with the Road Tech Zumo.

SERVICE PARTS

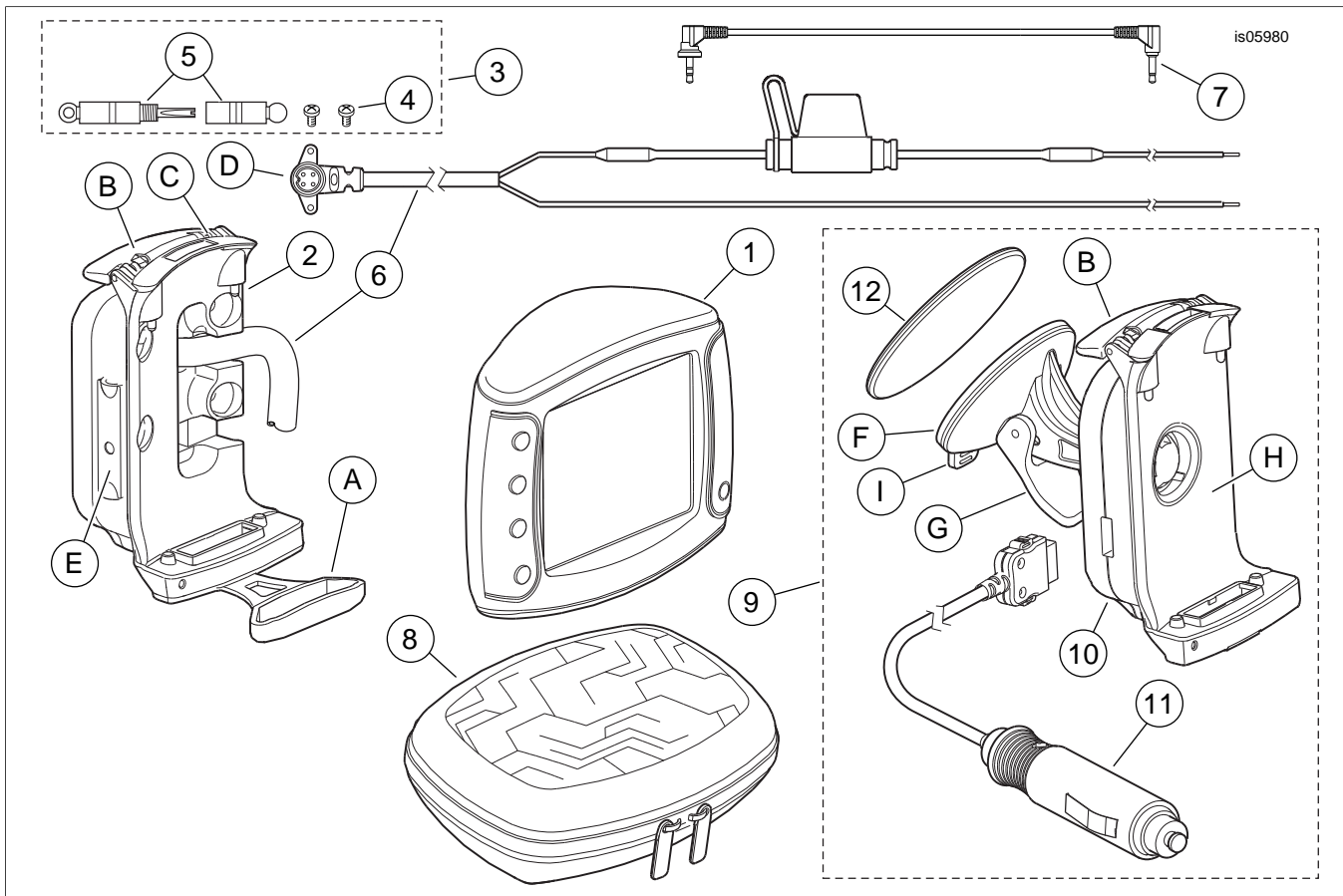


Figure 1. Service Parts, Road Tech Zumo GPS Kit

SERVICE PARTS

Table 1. Service Parts

Item	Description (Quantity)	Part Number
1	Road Tech Zumo unit	Not sold separately
2	Cradle, Zumo GPS	Not sold separately
3	Cradle mount service kit (includes items 4 and 5)	92379-08
4	• Harness screw, M2 x 3.5 mm (2)	See garmin.com
5	• Screwdriver, security	See garmin.com
6	Power harness assembly, Road Tech Zumo	See garmin.com
7	Audio cable	92389-08
8	Carrying case	92156-08
9	Automotive suction mount installation kit (includes Items 10, 11 and 12)	92364-08
10	• Automotive suction cradle mount	See garmin.com
11	• Power cable with 12/24 Volt DC adapter	See garmin.com
12	• Dashboard disc	See garmin.com
13	PCB/USB cable (not shown)	See garmin.com
14	A/C charger (not shown)	See garmin.com
15	User's manual, Road Tech Zumo (not shown)	See garmin.com
Reference items mentioned in text:		
A	Weather cap	
B	Lever	
C	Security screw	
D	Round 4-pin DIN connector on power harness (6)	
E	Rubber flap (on left side of GPS cradle)	
F	Suction cup	
G	Suction cam lever	
H	Cradle mount	
I	Tab	