



INSTRUCTIONS

-J01307

REV. 2008-01-21

TRANSMISSION DIPSTICK KIT

GENERAL

Kit Number

37123-98A, 37103-08

Models

For model fitment information, please see the P&A Retail Catalog or the Parts and Accessories section of www.harley-davidson.com (English only).

NOTE

A Service Manual for your model motorcycle is available from a Harley-Davidson Dealer.

Kit Contents

Table 1. Kit Contents

Description (Quantity)	Part Number
Transmission dipstick assembly	Not Sold Separately
O-ring	11132A
Medallion	14448-94

INSTALLATION

1. Remove existing dipstick assembly.
2. See Figure 1. Ensure the O-ring (2) is firmly seated on dipstick assembly (1) as shown.
3. Install new dipstick assembly in same location as original dipstick assembly. Tighten snugly by hand.
4. After installation as described in Step 3, remove the backing from the medallion (3). Apply the medallion in the desired orientation to the recessed area as shown.

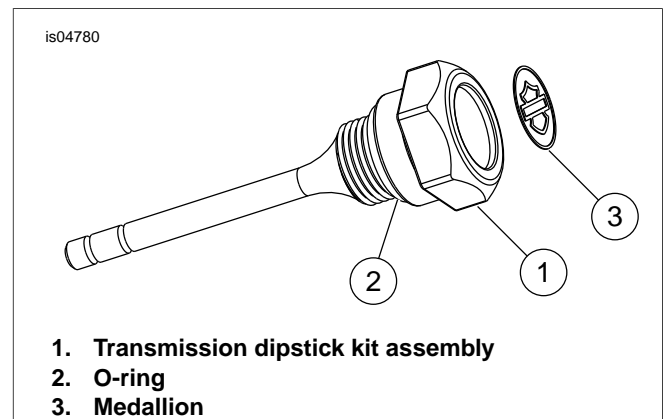


Figure 1. Transmission Dipstick Kit Assembly